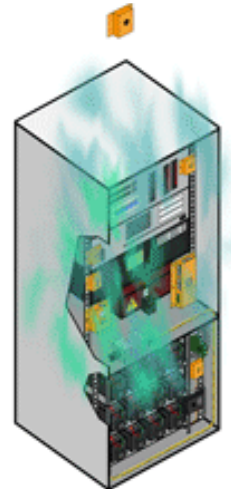
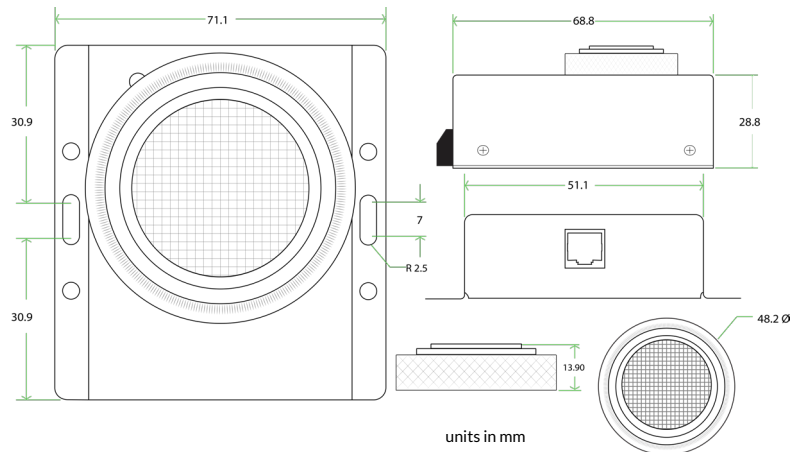




# Sulfur Dioxide (SO2) Gas Sensor (GAS-SO2)



Digital sensor designed for monitoring and measuring the level of Sulfur Dioxide (SO2) in the ambient air.

## Sensor Metrics:

|                             |                      |
|-----------------------------|----------------------|
| Measurement range           | 0-20 ppm             |
| Max detecting concentration | 150 ppm              |
| Response time (T90)         | ≤45 seconds          |
| Warm up time                | 10 minutes           |
| Calibration frequency       | up to 1 year         |
| Life span                   | 2 years              |
| Cross sensitivity           | Carbon Monoxide (CO) |
| Detection technology        | Electrochemical      |

## Technical Specifications:

|                                  |  |
|----------------------------------|--|
| Powered by and communicates with | Base Unit (BASE-XX) (required)<br>Requires the optional BASE-FW-SSLS firmware add on for the Base Unit |
| Connectivity                     | RJ45 cable transmitting data & power from Base Unit to Sensor  |
| Cable specification              | RJ45 CAT 6/7 recommended<br>Up to 100m (330ft) subject to cable quality & interference                 |
| Sensor power usage               | 216 mW   |

## Environmental Specifications:

|                                  |                                 |
|----------------------------------|---------------------------------|
| Operating temperature range      | -20°C to +50°C (-4°F to +122°F) |
| Humidity (operating and storage) | 15 - 90% rH (non-condensating)  |

## Physical Specifications:

|                  |  |
|------------------|--|
| Sensor enclosure | Steel enclosure, industrial grade                    |
| Mouning option   | OU rack, DIN rail, magnetic or wall mountable sensor |
| Dimensions       | 71.1mm (2.8") x 68.8mm (2.71") x 28.8 mm (1.13")     |
| Weight           | 193g (0.43lbs)                                       |