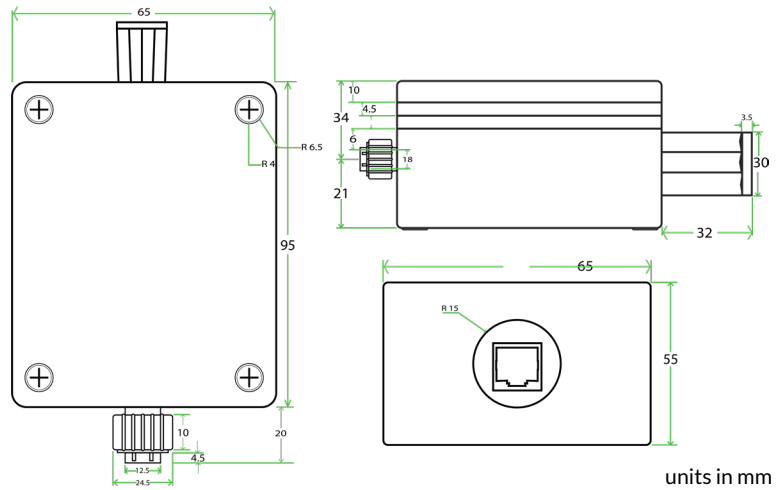




Industrial Water Leak Location Sensor (ENV-WLEAK-LOC-COMBO5M)



units in mm

Operating on the same principle as conventional leak sensors, this system stands out by providing precise location detection along the cable. It incorporates a reusable sensing cable manufactured in the USA, suitable for installation in both ordinary and hazardous areas. Known for mechanical robustness and resistance to corrosion and abrasion, the system excels in detecting multiple leaks simultaneously, with the added feature and pinpointing the location for up to two sequential leaks.

Sensor Metrics:

Water detection trigger	120 seconds
Drying time	Cable dries and resets within 15 seconds of removal from standing water
Standard cleaning method	Wipe with clean damp cloth
Cable breaking strength (including connectors)	70lbs/32kg
Data output	Provides a WET/DRY indication in Base Unit

Technical Specifications:

Powered by and communicates with	Base Unit (BASE-XX) (required)
Connectivity	RJ45 cable transmitting data & power from Base Unit to Sensor
Cable specification	RJ45 CAT 6/7 recommended Up to 100m (330ft) subject to cable quality & interference
Sensor power usage	264mW

Environmental Specifications:

Operating temperature range	0°C to +75°C (32°F to +167°F)
-----------------------------	-------------------------------

Physical Specifications:

Sensor enclosure	IP 66 rated enclosure
Sensor cable	Expandable up to 50m/164ft per sensor
Mounting option	Wall, floor or ceiling mount
Dimensions	128 mm (5.03") x 78 mm (3.07") x 55 mm (2.2")
Weight	570g (01.26 lbs.)