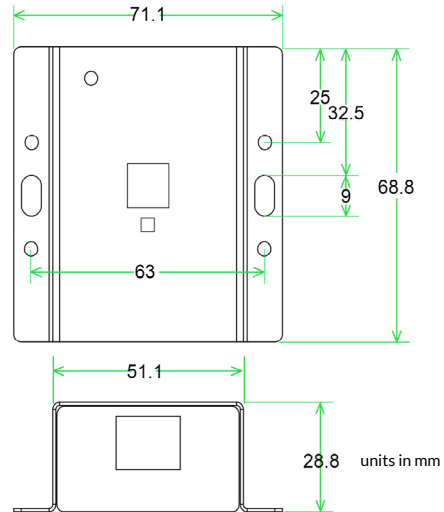




# CO2, VOC, Temperature and Humidity Sensor (ENV-AIRQUALITY)



Designed to measure the levels of CO2 and Volatile Organic Compounds (VOC) in the ambient air, this sensor enables you to track air quality within various environments such as buildings, data centers, server rooms, healthcare facilities, and other critical settings.

## Certifications:

cULus 61010-1
---------------

## Sensor Metrics:

CO2 output range	0 – 40,000 ppm
CO2 measurement accuracy	± 40 ppm
CO2 repeatability	± 10 ppm
VOC measurement output range	0 – 500 VOC Index
VOC repeatability	<±5 VOC index points or % mass volume(m.v.)
Temperature measurement range	- 10°C to +60°C
Temperature accuracy	± 0.8 °C(1.44°F) accuracy from 15 °C – 35 °C (27 °F – 63 °F)
Relative humidity measurement range	0 to 100 % RH
Relative humidity accuracy	15 °C – 35 °C, 20 %RH – 65 %RH = ±6 %RH

## Technical Specifications:

Powered and communicates with	Base Unit (BASE-XX) (required)
Connectivity	RJ45 cable transmitting data & power from Base Unit to Sensor
Cable specification	RJ45 CAT 6/7 recommended Up to 100m (330ft) subject to cable quality & interference
Sensor power usage	405 mW

## Environmental Specifications:

Operating temperature range	0°C to 50°C (32°F to 122°F)
Humidity (operating and storage)	< 90% rH (non-condensating)

## Physical Specifications:

Sensor enclosure	Steel enclosure, industrial grade
Mounting option	0U rack, DIN rail, magnetic, or wall mountable sensor
Dimensions	71.1 mm (2.8") x 68.8 mm (2.7") x 28.8 mm (1.1")
Weight	130g (0.29 lb)