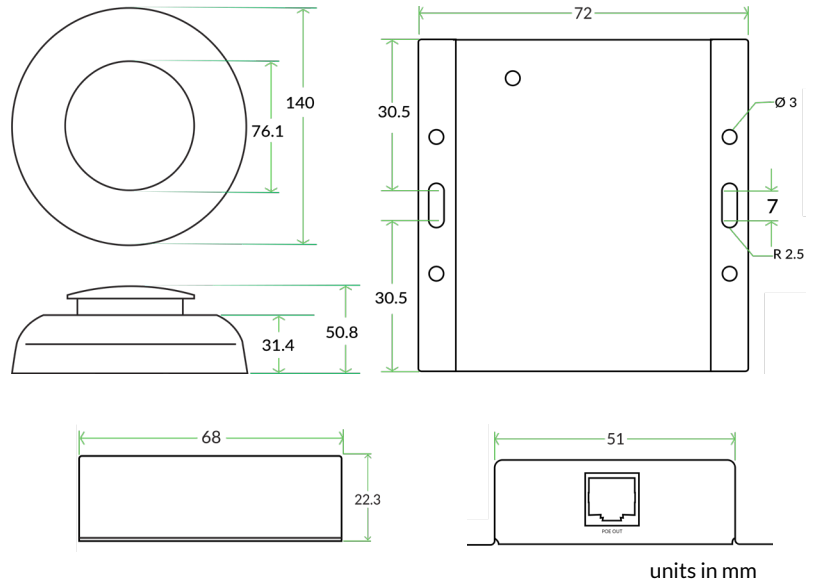




Smoke Sensor (SEC-SMOKE)



This sensor is a photoelectric smoke sensor that is designed to monitor smoke within facilities, complementing but not replacing mandatory building fire detection systems. It incorporates self-diagnostics and meets NFPA 72 Sensitivity testing requirements without external meters. Equipped with in-built dust compensation, sounder, and a patented CleanMe® feature, it ensures easy maintenance with a replaceable optical chamber. This sensor provides superior protection against false alarms from dust, RF, and ambient light through built-in drift compensation, enhancing its reliability.

Certification:

UL 268

Sensor Metrics:

Smoke detection	Photoelectric
-----------------	---------------

Technical Specifications:

Powered by and communicates with	Base Unit (BASE-XX) (required)
Connectivity	RJ45 cable transmitting data & power from Base Unit to Sensor
Cable specification	Base Unit (RJ45 CAT 6/7 recommended) Up to 100m (330ft) subject to cable quality & interference
Sensor power usage	204mW

Environmental Specifications:

Operating temperature range	0°C - 37°C (32°F - 100°F)
Humidity (operating and storage)	< 95% rH (non-condensating)

Physical Specifications:

Sensor enclosure	Steel enclosure, industrial grade
Mounting option	OU rack, DIN rail, magnetic or wall mountable sensor
Dimensions	73mm (2.87") x 67.86mm (2.67") x 22.03mm (0.87")
Weight	111.3g (0.25lb)