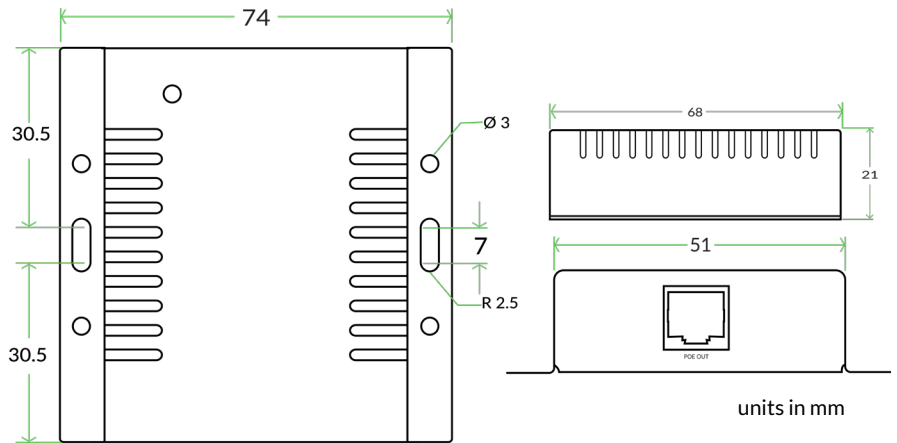




Door Contact Sensor (SEC-DOOR)



The security door contact is a sensor that is mounted inside racks, cabinets or server room doors that returns OPEN or CLOSE state. It triggers an alert when the rack door is opened. The sensor directly plugs into the Base Unit or the Sensorhub. The door contact sensor is a magnetic sensor with a self adhesive or screw mount.

Technical Specifications:

Powered by and communicates with	Base Unit (BASE-XX) (required)
Connectivity	RJ45 cable transmitting data & power from Base Unit to Sensor
Cable specification	RJ45 CAT 6/7 recommended Up to 100m (330ft) subject to cable quality & interference
Sensor power usage	204mW

Environmental Specifications:

Operating temperature range	0°C to +75°C (32°F to +167°F)
Humidity (operating and storage)	< 90% rH (non-condensating)

Physical Specifications:

Sensor enclosure	Steel enclosure, industrial grade
Mounting option	0U rack, DIN rail, magnetic or wall mountable sensor Magnetic door contact sensor with self-adhesive or screw mount
Cable length	0.15" (0.4m) cable from door contact to probe
Dimensions	74.39mm (2.93") x 68.34mm (2.69") x 21.24mm (0.84")
Weight	58.2g (128lbs)