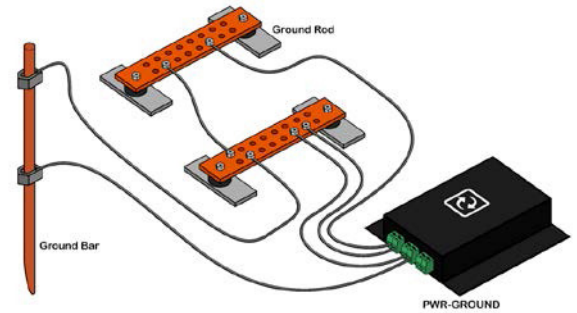
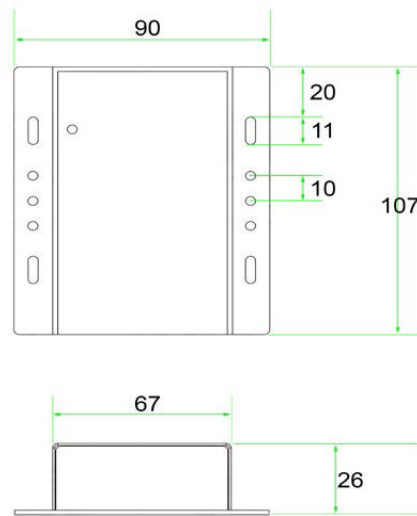




Ground (Earthing) Sensor (PWR-GROUND)



General Description

The ServersCheck Grounding Monitoring system connects to your facilities or sites electrical ground system. It checks non stop the grounding's resistance. This allows you to get early warning on your grounding system.

Key Features

- Plugs into the base unit (BASE-WIRED)
- Powered by the base unit (BASE-WIRED)
- OU and rack mountable
- Plug and play sensor
- Monitors up to 3 different ground systems
- Cabling through fuse cables
- Measures resistance in Ohms
- Terminal connectors for wires from 26 up to 16 AWG (solid/stranded)

Technical Specifications

Power source	SensorGateway (BASE-WIRED)
Power usage	36 mW
Range	0 to 5000 Ohms
Injected current	0.7 mA
Ground metering points	3 different ground terminals
IO isolation	1000 V AC
Used Voltage	3.0 V

Environmental and Physical Specification

Operating temperature range	0°C to +75°C (32°F to +167°F)
Humidity (operating and storage)	< 90% rH (non-condensating)
Probe dimensions	107 mm (4.2") x 90 mm (3.5") x 26 mm (1.02")
Weight	0.117 kg (0.26 lbs)