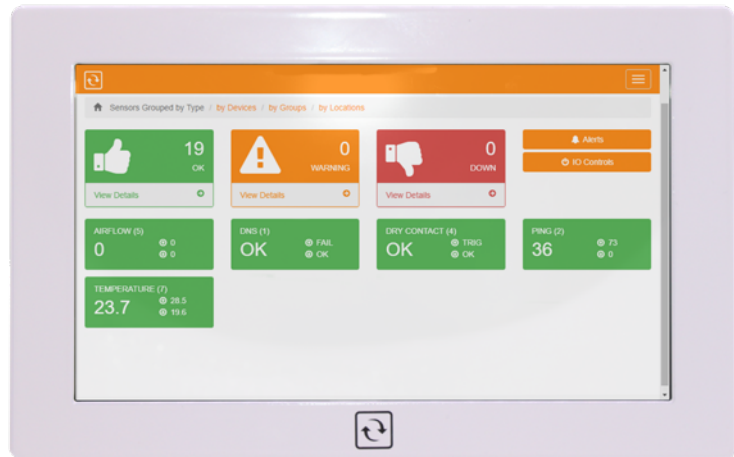




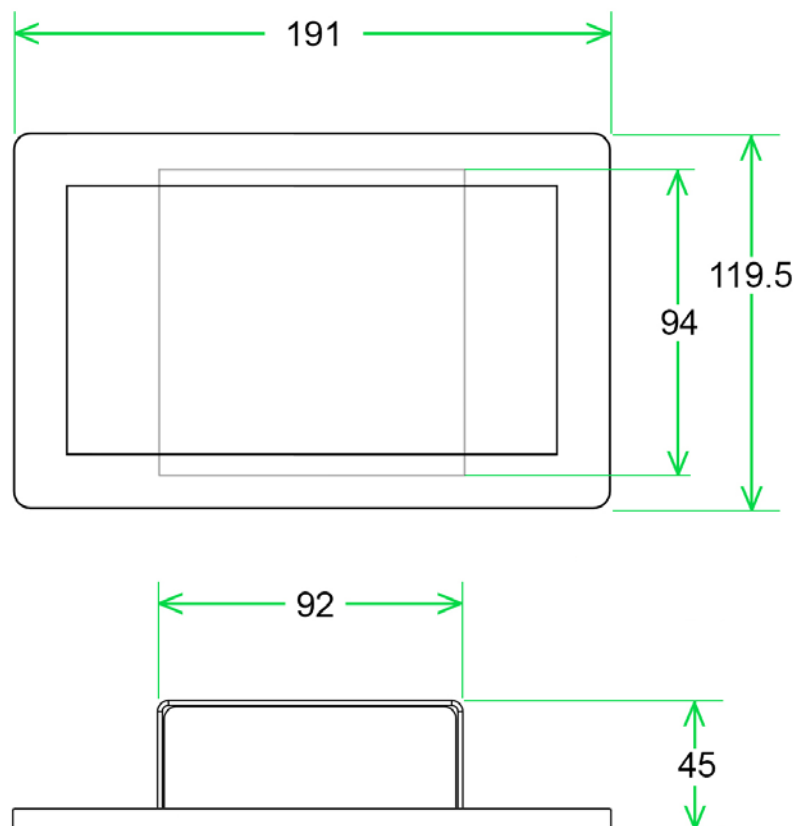
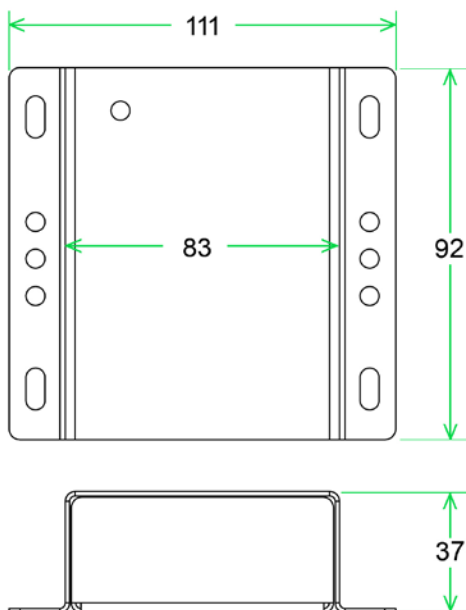
Edge Monitoring Appliance & IoT Gateway (MON-APPLIANCE) (MON-TOUCH-7IN)



MON-APPLIANCE



MON-TOUCH-7IN





General Description

The Monitoring Appliance is an open computer that enables you to log, monitor and alert on data from your equipment and sensors right at the edge. With the optional Cellular (LTE/2G) or Satellite connections it can alert you anywhere and everywhere. Collected data can be normalized, aggregated or directly sent to the Cloud of your choice: AWS, Gcloud, Azure or any other. Using 3rd party analytic platforms you can then monitor all your edges from one single platform.

Key Features

- Optional 7" inch touch screen. (MON-TOUCH-7IN)
- Optional Cellular (LTE/2G)
- Optional Satellite connections
- User friendly design
- Runs on Windows 10 Enterprise IoT platform.
- FIPS 140-2
- Access from any device (tablet , desktop or smartphones)
- Expandable storage up to 1 TB (Via SD card)

Technical Specifications

Power Source MON-APPLIANCE	5V at 2A Micro USB power adapter
Power Source MON-TOUCH-7IN	5V at 3A Micro USB power adapter
Operating System	Windows 10 Enterprise IoT
Processor (CPU)	Intel Quad Core Atom Z8350
Base Frequency	1.44GHz (1.92GHz Burst Frequency)
Memory (RAM)	4 GB DDR3L
GPU	Intel HD Graphics, 12 EUs @200-500Mhz, single-channel memory
Default Storage	64 GB (optional additional storage of up to 1 TB via SD card)
Network	100Mbps Ethernet & Wifi 802.11n @.4G
Video Output	Through HDMI or with the optional touch panel (7" touch 1024x600)
Operating System	Windows 10 IoT Enterprise
Software	ServersCheck Monitoring Software
Mount	Rack & DIN rail
POE Powered	optional
+24V or -48V input	optional
Bluetooth	4.0
USB	USB 2.0 x 2 / USB 3.0 x 1

Physical Specifications

Dimensions of MON-APPLIANCE	92mm (3.6') x 111mm (4.4') x 37mm (1.4')
Dimensions of MON-TOUCH-7IN	119.5mm (4.7') x 191mm (7.5') x 45mm (1.8')