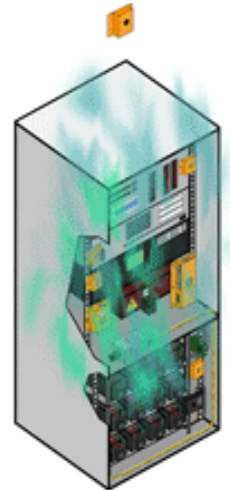
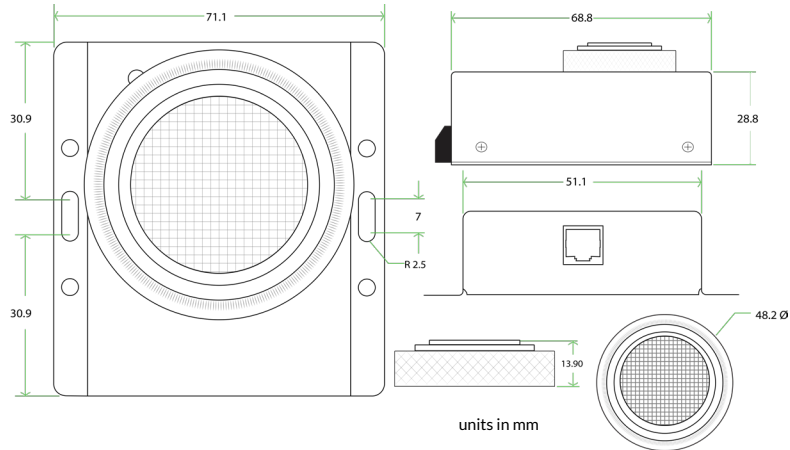




Sulfur Hexafluoride (SF6) Gas Sensor (GAS-SF6)



Digital sensor designed for monitoring and measuring the level of Sulfur Hexafluoride (SF6) in the ambient air.

Sensor Metrics:

Measurement range	0-1000 ppm
Accuracy	±1% of FS range for readings below 25% of range ±2% of FS range for readings below 50% of range ±5% of FS range above 50% of range
Response time (T90)	30 seconds
Warm up time	5 minutes
Calibration frequency	up to 1 year
Life span	5 years
Detection technology	NDIR

Technical Specifications:

Powered by and communicates with	Base Unit (BASE-XX) (required) Requires the optional BASE-FW-SSLS firmware add on for the Base Unit
Connectivity	RJ45 cable transmitting data & power from Base Unit to Sensor
Cable specification	RJ45 CAT 6/7 recommended Up to 100m (330ft) subject to cable quality & interference
Sensor power usage	1200 mW

Environmental Specifications:

Operating temperature range	-20°C to +50°C (-4°F to +122°F)
Humidity (operating and storage)	0-90% rH (non-condensating)

Physical Specifications:

Sensor enclosure	Steel enclosure, industrial grade
Mounting option	OU rack, DIN rail, magnetic or wall mountable sensor
Dimensions	71.1mm (2.8") x 68.8mm (2.71") x 28.8 mm (1.13")
Weight	193g (0.43lbs)