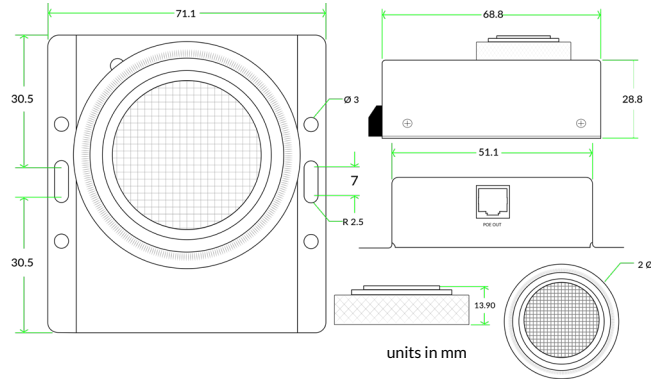




# Flammable Gas Sensor (GAS-FLAMMABLE)



Calibration free flammable gas sensor that is specifically designed to detect the presence and measure the concentration of specific gases in nonhazardous critical facilities. Capable of identifying various gases: hydrogen (H2), butane (C4H10), propane (C3H8), methane (CH4), ethane (C2H6), isobutane (CH3), octane (C8H18), pentane (C5H12), propylene (C3H6), toluene (C7H8), xylene (C8H10). This sensor offers a comprehensive solution for monitoring and ensuring gas safety within the environment.

## Certification and Calibration:

cULus 61010 recognize

## Sensor Metrics:

Hydrogen (H2) accuracy	±5% LEL
Butane (C4H10) accuracy	±5 %LEL
Propane (C3H8) accuracy	±6 %LEL
Methane (CH4) accuracy	±3 %LEL
Ethane (C2H6) accuracy	±5 %LEL
Isobutane (CH3) accuracy	±5 %LEL
Octane (C8H18) accuracy	±5 %LEL
Pentane (C5H12) accuracy	±5 %LEL
Propylene (C3H6) accuracy	±5 %LEL
Toluene (C7H8) accuracy	±12 %LEL
Xylene (C8H10) accuracy	±12 %LEL
Detection Range	0-100 %LEL
Response time (T90)	<20s

## Technical Specifications:

Powered by and communicates with	Base Unit (BASE-XX) (required) Requires the optional BASE-FW-SLS firmware add on for the Base Unit
Connectivity	RJ45 cable transmitting data & power from Base Unit to Sensor
Cable specification	RJ45 CAT 6/7 recommended Up to 100m (330ft) subject to cable quality & interference
Sensor power usage	120 mW
Life span	Up to 10 years
Detection method	Spectrometer

## Environmental Specifications:

Operating temperature range	-30°C to +60°C (-22°F to 140°F)
Humidity (operating and storage)	0 to 100% rH (non-condensating)

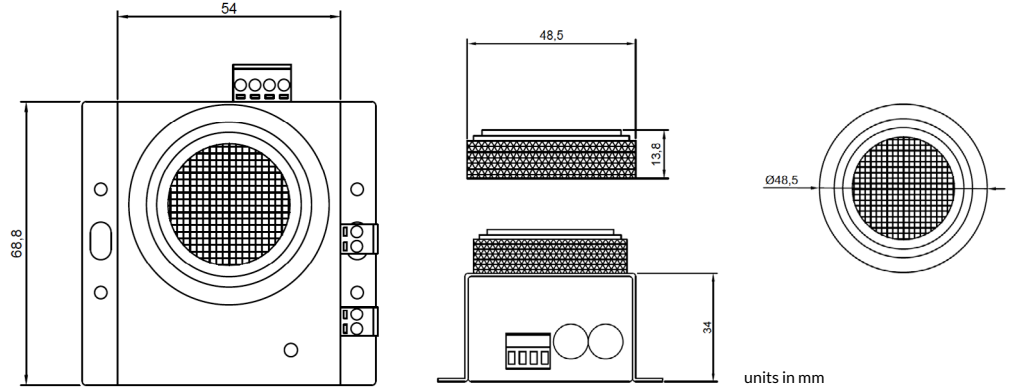
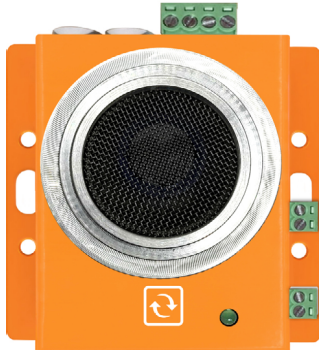
## Physical Specifications:

Sensor enclosure	Steel enclosure, industrial grade
Mounting option	0U rack, DIN rail, magnetic, or wall mountable sensor
Dimensions	71mm (2.8") x 68.8mm (2.71") x 28.8 mm (1.13")
Weight	193g (0.43lbs)

The visual appearance and dimensions presented on this datasheet are for illustrative purposes only and are subject to change without prior notice. Actual product appearance and dimensions may vary due to continuous product improvement and manufacturing



# Flammable Gas Sensor (RS485-GAS-FLAM)



Calibration free flammable RS485 version gas sensor that is specifically designed to detect the presence and measure the concentration of specific gases in nonhazardous critical facilities. User settable address (RS485) out of 256 possibilities

## Certification and Calibration:

UL61010 pending

## Sensor Metrics:

Hydrogen (H2) accuracy	±5% LEL
Butane (C4H10) accuracy	±5 %LEL
Propane (C3H8) accuracy	±6 %LEL
Methane (CH4) accuracy	±3 %LEL
Ethane (C2H6) accuracy	±5 %LEL
Isobutane (CH3) accuracy	±5 %LEL
Octane (C8H18) accuracy	±5 %LEL
Pentane (C5H12) accuracy	±5 %LEL
Propylene (C3H6) accuracy	±5 %LEL
Toluene (C7H8) accuracy	±12 %LEL
Xylene (C8H10) accuracy	±12 %LEL
Detection Range	0-100 %LEL
Response time (T90)	<20s

## Technical Specifications:

Relay outputs	2 (Normally Open)
Relay switching current	up to 0.5A
Input Voltage	12-24V DC
Power usage	312mW - 672mW
Protocol	Modbus RTU over RS485 Integration with Base Unit over RJ45 (serial data)
Sensor power usage	120 mW
Life span	Up to 10 years
Detection method	Spectrometer

## Environmental Specifications:

Operating temperature range	-30°C to +60°C (-22°F to 140°F)
Humidity (operating and storage)	0 to 100% rH (non-condensating)

## Physical Specifications:

Sensor enclosure	Steel enclosure, industrial grade
Mounting option	OU rack, DIN rail, magnetic, or wall mountable sensor
Dimensions	68.8mm (2.71") x 54mm (2.13") x 34 mm (1.34")
Weight	193g (0.43lbs)

The visual appearance and dimensions presented on this datasheet are for illustrative purposes only and are subject to change without prior notice. Actual product appearance and dimensions may vary due to continuous product improvement and manufacturing