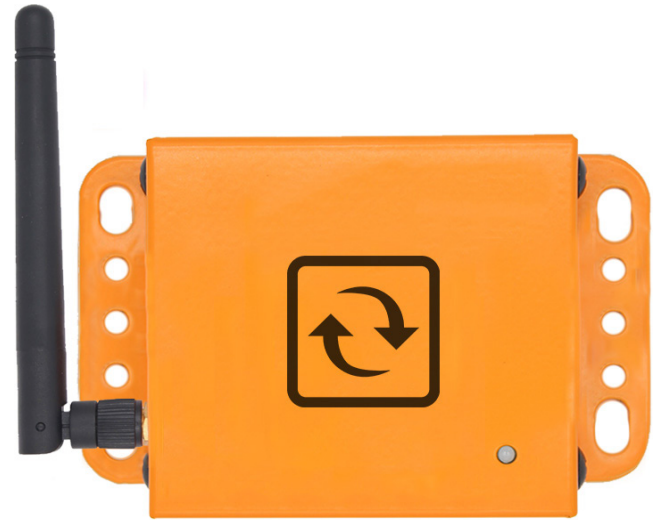
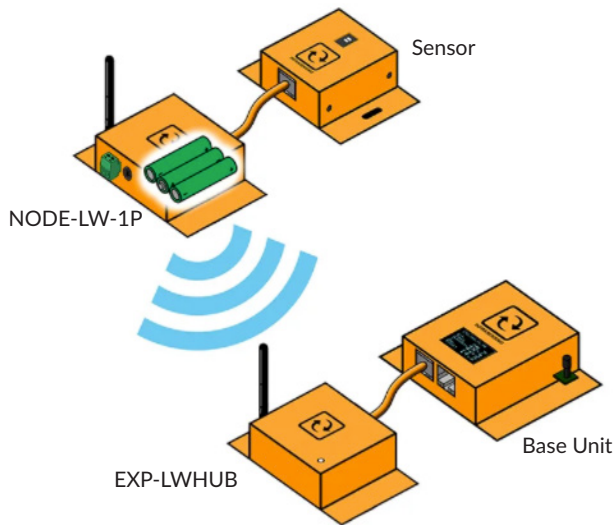




Wireless (LoRa) Hub (EXP-LWHUB)



General Description

Enable wireless communication between your sensors and the base unit for a distance of up to 2km (1.2 miles).

Key Features

- Plugs into the base unit (BASE-WIRED)
- Uses LoRa point to point communication protocol.
- Supports up to 20 sensor nodes.
- DIN Rail mountable with optional DIN Clips.
- Steel enclosure. Industrial grade.
- 1 wireless hub per base unit.
- FCC and CE certified.

Technical Specification

Chipset	SX 1276	
Power Source:	Power Adapter (BASE-PWR)	
Power Usage	720 mW	
Current rating	30-35 mA - Transmit mode 10-15 mA - Receive mode	
Max line of sight	2km or 1.2 miles	
Frequency range	400 - 1000 Mhz	
Regional frequencies	Common Name	Channel Plan
	EU 868 US 915 CN 779 EU 433 AU 915 CN 470 AS 923 KR 920 IN 865 RU 864	EU 863-870 Mhz US 902-928 Mhz CN 779-787 Mhz EU 433 Mhz AU 915-928 Mhz CN 470-510 Mhz AS 923 Mhz KR 920-923 Mhz IN 865-867 Mhz RU 864-870 Mhz

Environmental and Physical Specification

Operating temperature range	-55°C to +115°C (-67°F to +185°F)
Humidity (operating and storage)	< 90% rH (non-condensating).
Dimensions	70 mm (2.75") x 95 mm (3.74") x 20 mm (0.78")
Weight	0.15kg (0.33 lbs.)