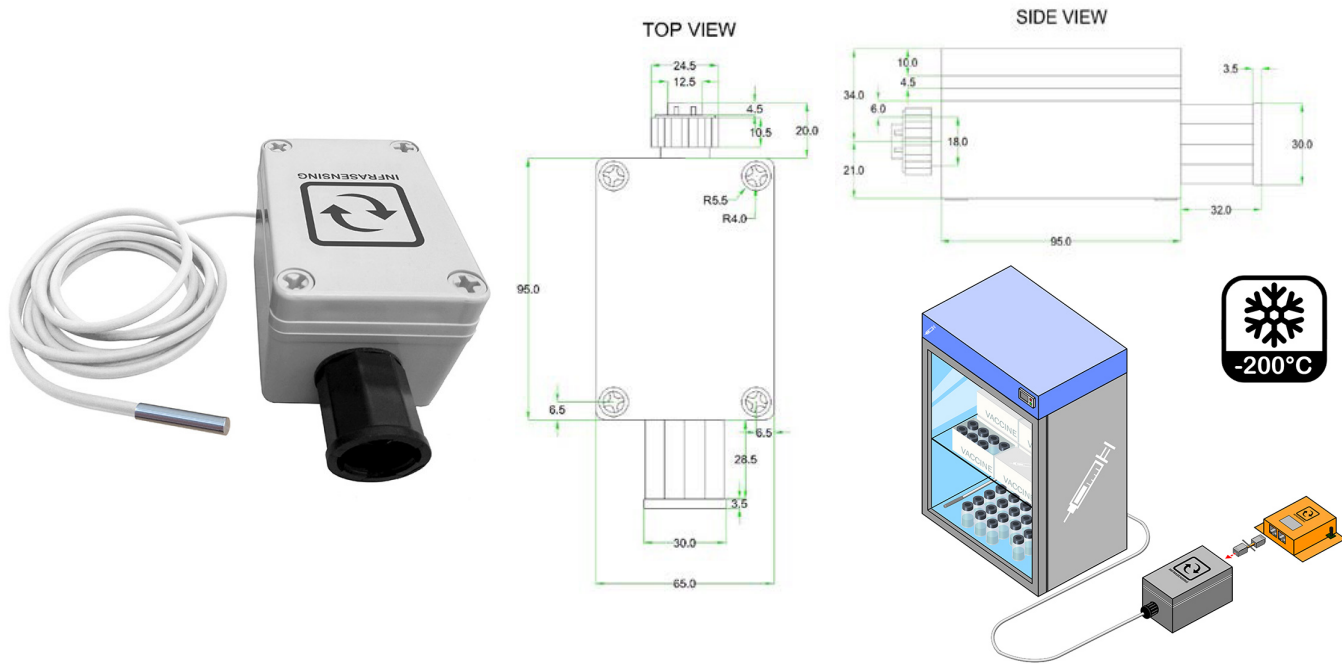




Extreme low temperature sensor (ENV-TULTRA)



General Description

This sensor was designed to monitor temperature in applications where our traditional temperature sensors can't be used. With its IP65 rated enclosure and stainless steel protected platinum wired sensor, this sensor can be used in extreme low temperature environments of up to almost -200° Celsius or 73° Kelvin.

Key Features

- Plugs into the base unit (BASE-WIRED).
- Powered by the base unit (BASE-WIRED).
- Compact plug & play sensor.
- Alerts via SNMP Traps, email, SMS or voice calls.
- Integrates over IP using Modbus TCP, SNMP, XML, JSON with other systems.
- Integrates over RS-485 using Modbus RTU with ICS. Requires optional add-on.
- IP65 electronics enclosure.
- 30-50mm stainless steel protection for platinum sensor.
- 2m teflon cable between sensor and electronics enclosure.

Technical Specifications

Power Source:	SensorGateway (BASE-WIRED)
Power Usage	60 mW
Readings	Celsius or Fahrenheit
Temperature Precision	±0.1°C (0.18 °F)
Temperature Accuracy	±0.5-1°C (32.9-33.8°F)
Temperature Reading	-196°C to +75°C -320°F to +167°F 77°K to 348°K

Environmental and Physical Specification

Operating temperature range for stainless steel sensor head and cable	-196°C to +75°C -320°F to +167°F 77°K to 348°K
Operating temperature range for IP65 Sensor Box	4°C to 65°C (39°F to 148°F)
Humidity (operating and storage)	< 90% rH (non-condensating).
Sensor Housing Material	IP 65 plastic housing
RJ45 cable Gland protection rating	IP 68
Dimensions	65 mm (2.5") x 95 mm (3.74") x 55 mm (2.16")