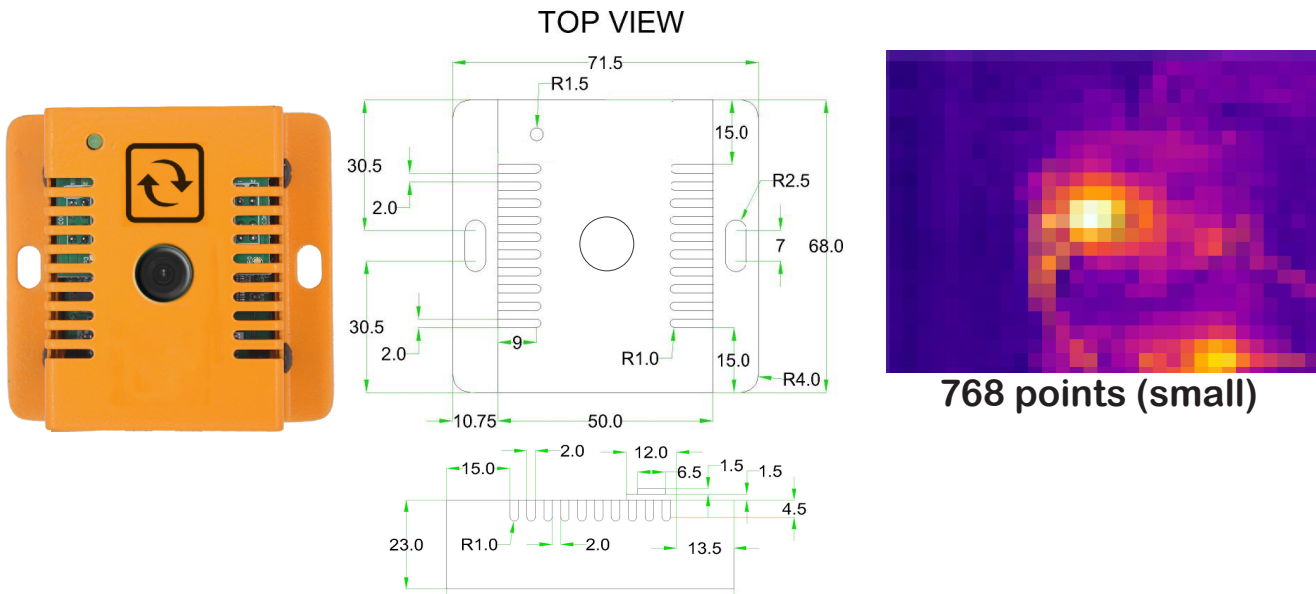




Thermal Image IR Sensor (ENV-THIMG-S)



General Description

A regular temperature sensor provides you with the temperature of the air surrounding the sensor. The thermal camera sensors provide you with the temperature of the objects & equipment it sees. The world's first SNMP & Modbus thermal camera sensor that tells you the temperature of what it actually sees. 768 temperature measurement points in one image, analysed every 2 seconds. Minimum and maximum temperature data is available to industrial and IT automation platforms via Modbus TCP or SNMP.

Key Features

- plugs into the base unit (BASE-WIRED)
- powered by the base unit (BASE-WIRED)
- can be OU rack, din rail, magnetic, or wall mounted
- reading in Celcius or Fahrenheit
- can detect object temperature from -40°C to 300°C
- up to 5 thermal camera sensors supported (by connecting to SensorHub)
- outputs maximum temperature per zone
- can add up to 4 zones

Technical Specifications

| | |
|--------------------------|---------------------------------------|
| Power source | SensorGateway (BASE-WIRED) |
| Power usage | 492 mW |
| Target temperature range | -40 °C to 300 °C (-40 °F to 572 °F) |
| Temperature accuracy | ± 1.5°C / 34.7°F |
| Field of View (FoV) | 110° horizontal(wide) 75° vertical |
| Resolution | 32x24 pixels |

Environmental and Physical Specification

| | |
|----------------------------------|--|
| Operating temperature range | -10°C to +85°C (14°F to 185°F) |
| Humidity (operating and storage) | < 90% rH (non-condensating) |
| Dimensions | 71.5 mm (2.8") x 68 mm (2.7") x 23 mm (0.9") |
| Weight | 0.112kg (0.25 lbs) |