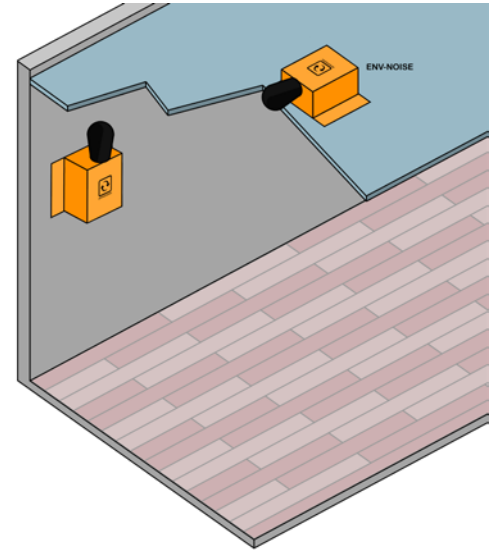
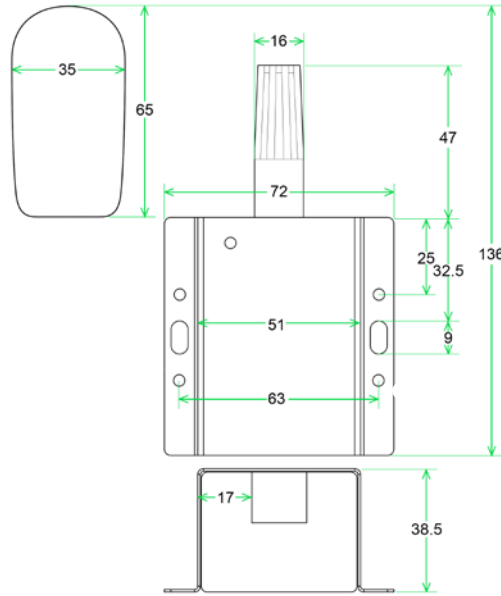




Sound and Noise Level (dB) Sensor (ENV-NOISE)



General Description

Designed for monitoring sound and noise levels.

Key Features

- Plugs into the base unit (BASE-WIRED).
- Powered by the base unit (BASE-WIRED).
- Compact plug & play sensor.
- OU rack or wall mountable.
- Steel inclosure. Industrial Grade.
- Alerts via SNMP Traps, email, SMS or voice calls.
- monitor noise levels as per OSHA requirements or for HCAHPS
- designed for indoor use.

Technical Specifications

Power Source	SensorGateway (BASE-WIRED)
Power Usage	312 mW
Sensor Accuracy	±0.5 dB
Sound (db) Resolution:	0.1 db precision
Sensor range	30 - 120dB
Frequency weighting	A weighting
Frequency Response Range	20Hz - 12.5kHz

Environmental and Physical Specification

Operating and storage temperature range	0°C to +50°C (32°F to +167°F)
Relative Humidity (operating and storage)	< 80% rH
Dimensions	72 mm (2.8") x 136 mm (5.4") x 38.5 mm (1.5") / Mic 35mm (1.4") x 65mm(2.56")
Weight	0.12kg (0.26 lbs.)