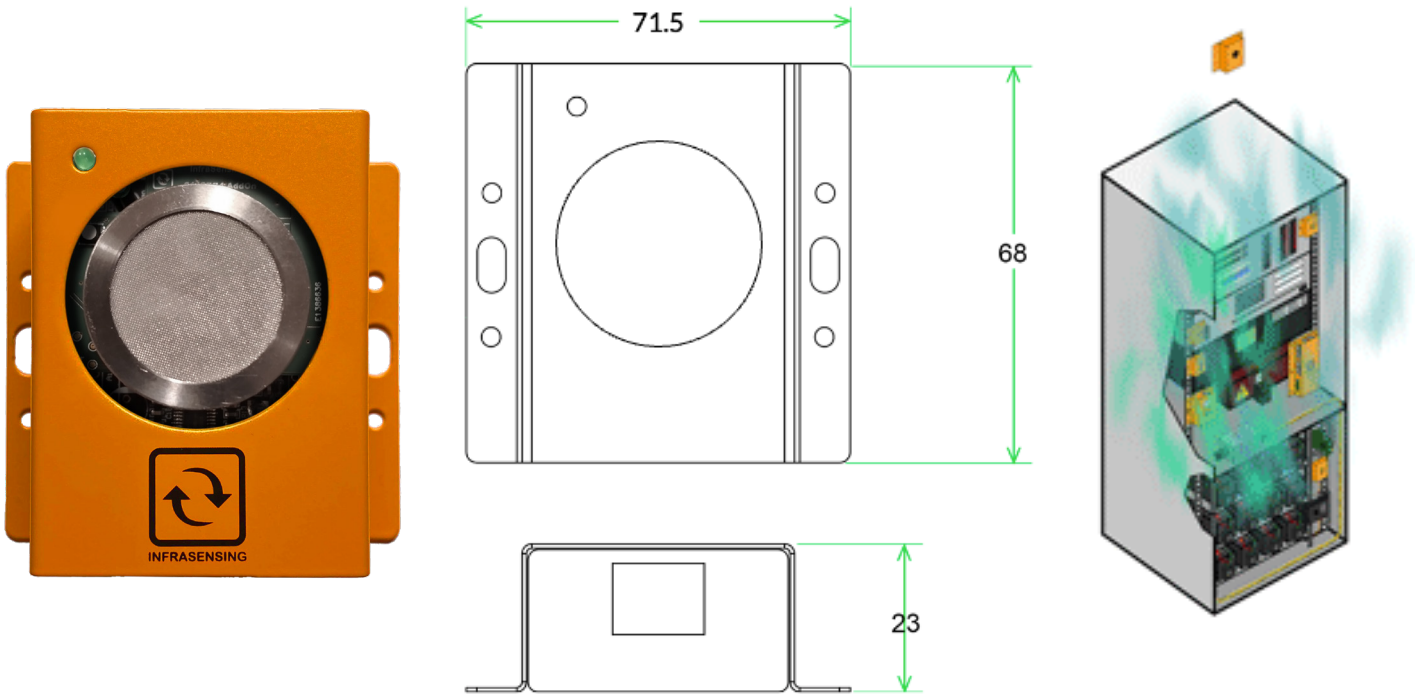




## Refrigerants (R134a) Gas Sensor (ENV-GAS-R134a)



### General Description

Digital SNMP & Modbus TCP sensor designed for monitoring and measuring the level of refrigerant (R134a) in the ambient air.

### Key Features

- Plugs into the base unit (BASE-WIRED)
- Powered by the base unit (BASE-WIRED)
- Can be 0U rack, din rail, magnetic, or wall mounted
- Measures refrigerant(R134a) in the air between 0-2000 ppm (parts per million)
- Alerts via SNMP Traps, email, SMS or voice calls

### Technical Specifications

Power source	SensorGateway (BASE-WIRED)
Power usage	1200 mW
Measurement range	0-2000 ppm
Accuracy	±1% for readings below 25% of range ±2% for readings below 50% of range ±5% for readings above 50% of range
Warmup time	60 s
Life Span	5 years

### Environmental and Physical Specification

Operating temperature range	0°C to +70°C (32°F to +158°F)
Humidity (operating and storage)	< 90% rH (non-condensating)
Dimensions	71.5 mm (2.8") x 68 mm (2.7") x 31 mm (1.2")
Weight	0.13 kg (0.29 lbs)