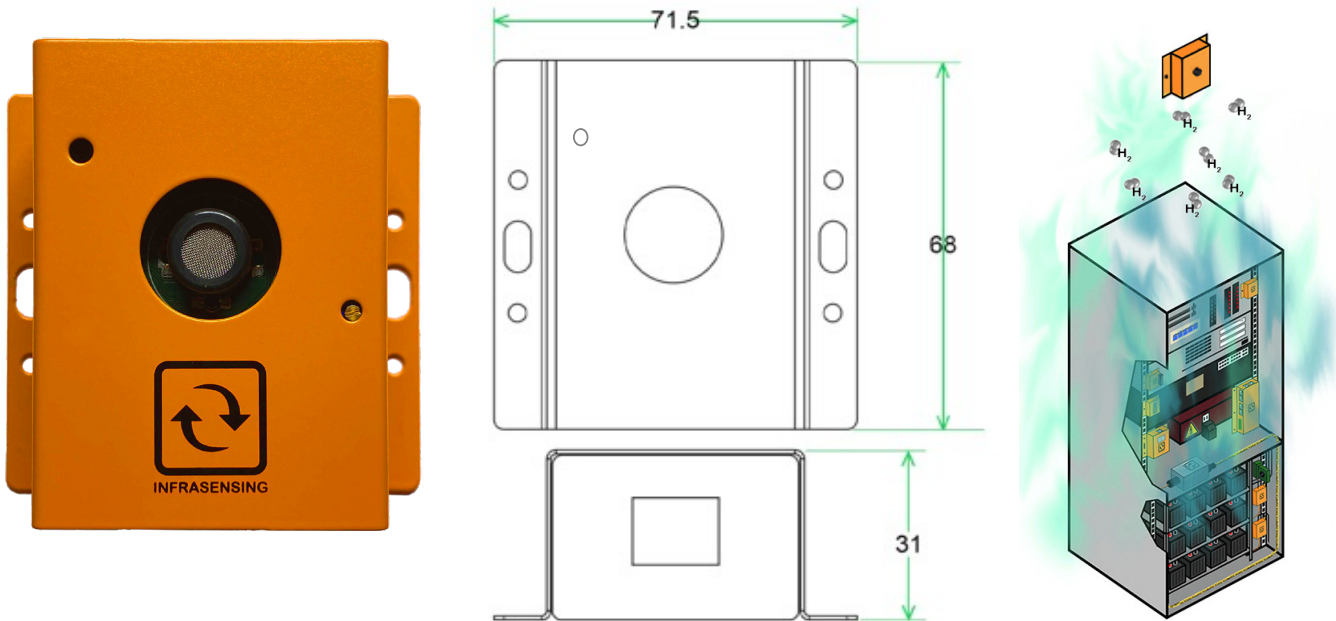




Hydrogen (H2) Gas Sensor (ENV-GAS-H2)

Sensor Page

Store Page



General Description

Digital SNMP & Modbus TCP sensor designed for monitoring 24x7 hydrogen (H2) levels and detect leaks from lead acid and li-ion battery banks.

Key Features

- plugs into the base unit (BASE-WIRED)
- powered by the base unit (BASE-WIRED)
- can be OU rack, din rail, magnetic, or wall mounted
- proven sensor component made in Japan
- measures Hydrogen in the air between 0 to 100% LEL (lower explosive limit)
- maximum detection of 40,000 H2 ppm (=100% LEL)
- alerts via SNMP Traps, email, SMS or voice calls
- lab calibrated against 50% reference gas

Technical Specifications

Power source	SensorGateway (BASE-WIRED)
Power usage	948 mW
Hydrogen level	0 to 100% LEL
Maximum detection	40,000 H2 ppm (=100% LEL)
Lifetime	10 years

Environmental and Physical Specification

Operating temperature range	0°C to +70°C (32°F to +158°F)
Humidity (operating and storage)	< 90% rH (non-condensating)
Dimensions	71.5 mm (2.8") x 68 mm (2.7") x 31 mm (1.2")
Weight	0.12 kg (0.26 lbs)