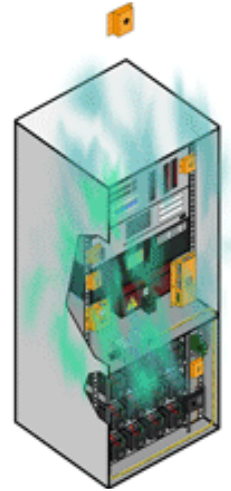
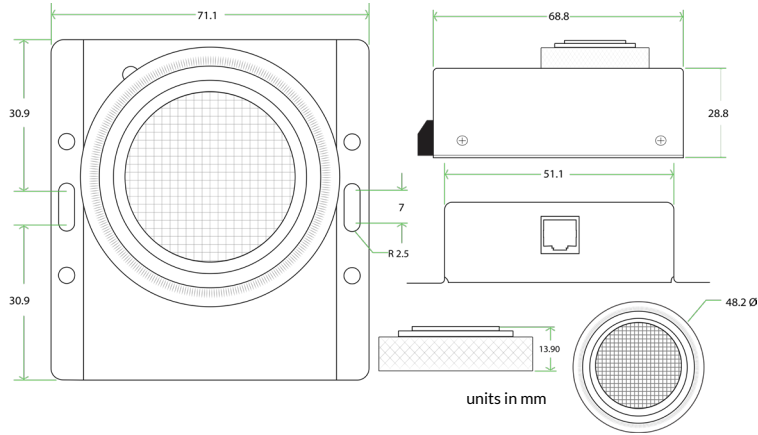




Methane (CH4) Gas Sensor (GAS-CH4)



Digital sensor designed for monitoring 24x7 Methane (CH4) levels and detect leaks from lead acid and li-ion battery banks

Sensor Metrics:

Detection range	0 to 100% LEL
Accuracy	±3% LEL
Response time (T90)	<20 seconds
Warm up time	2 minutes
Calibration frequency	No calibration required
Life span	Up to 15 years
Detection technology	Spectrometer

Technical Specifications:

Powered and communicates with	Base Unit (BASE-XX) (required) Requires the optional BASE-FW-SSLS firmware add on for the Base Unit
Connectivity	RJ45 cable transmitting data & power from Base Unit to Sensor
Cable specification	RJ45 CAT 6/7 recommended Up to 100m (330ft) subject to cable quality & interference
Sensor power usage	216 mW

Environmental Specifications:

Operating temperature range	-40°C to 75°C (-40°F to 167°F)
Humidity (operating and storage)	0 to 100% rH (non-condensating)

Physical Specifications:

Sensor enclosure	Steel enclosure, industrial grade
Mounting option	OU rack, DIN rail, magnetic or wall mountable sensor
Dimensions	71.1mm (2.8") x 68.8mm (2.71") x 28.8 mm (1.13")
Weight	193g (0.43lbs)