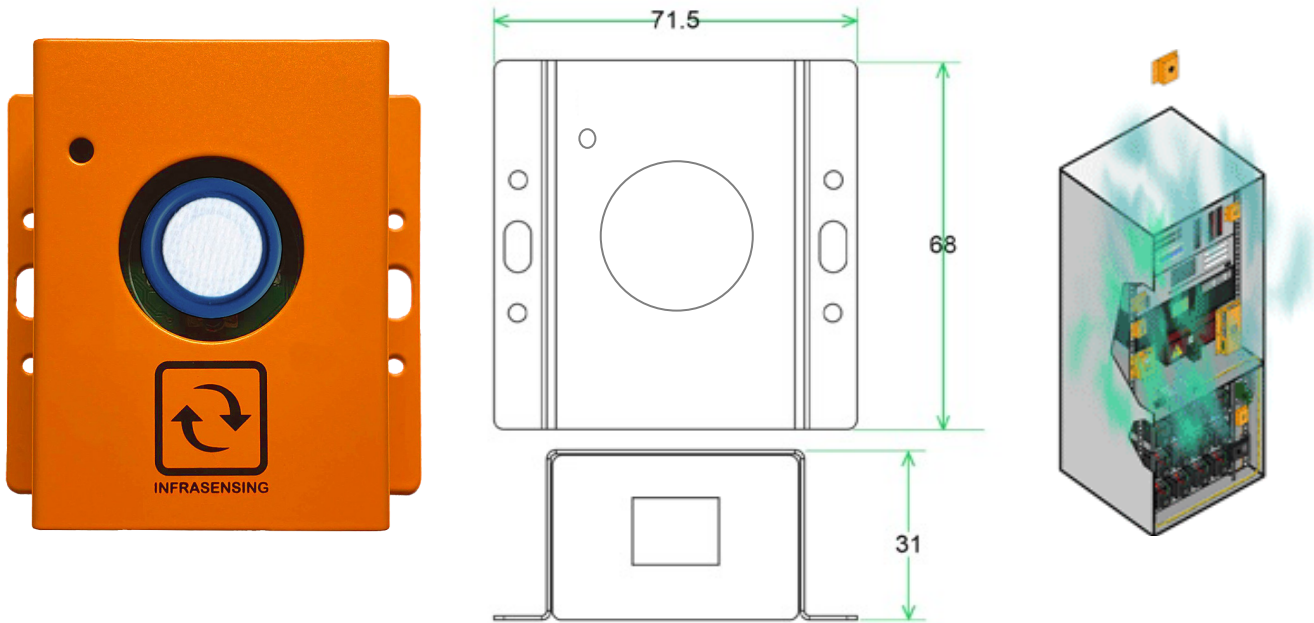




## Ethylene (C2H4) Gas Sensor (ENV-GAS-C2H4)

Sensor Page

Store Page



### General Description

Digital SNMP & Modbus TCP sensor designed for monitoring and measuring the level of Ethylene(C2H4) in the ambient air.

### Key Features

- plugs into the base unit (BASE-WIRED)
- powered by the base unit (BASE-WIRED)
- can be OU rack, din rail, magnetic, or wall mounted
- measures Ethylene in the air between 0-100 ppm (parts per million)
- maximum detection of 200 ppm
- alerts via SNMP Traps, email, SMS or voice calls

### Technical Specifications

Power source	SensorGateway (BASE-WIRED)
Power usage	216 mW
Measurement range	0-100 ppm
Max detecting concentration	200 ppm
Response time	<30s
Lifetime	3 years

### Environmental and Physical Specification

Operating temperature range	0°C to +70°C (32°F to +158°F)
Humidity (operating and storage)	< 90% rH (non-condensating)
Dimensions	71.5 mm (2.8") x 68 mm (2.7") x 31 mm (1.2")
Weight	0.13 kg (0.29 lbs)