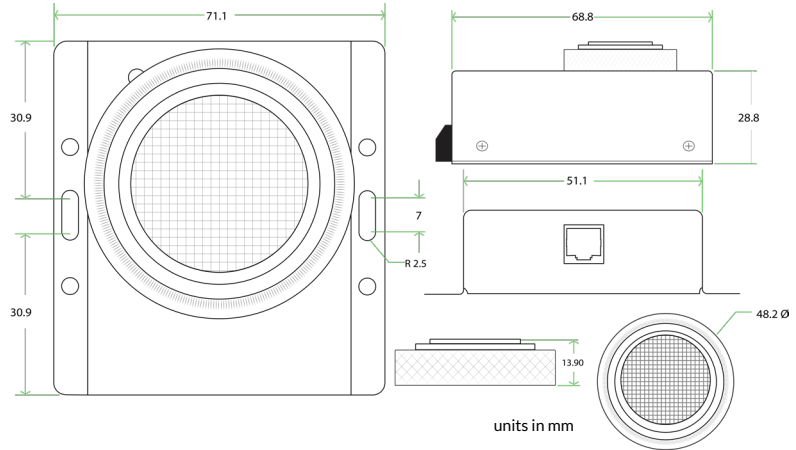




Refrigerant A3 (R-290) Gas Sensor (GAS-A3)



Digital sensor designed to measure ASHRAE A3 refrigerant gas leaks.

Sensor Metrics:

Supported gases	R-290
Measurement range	5-100% LEL
Accuracy	(5-25 %LEL) ±2.5 %LEL (>25 %LEL) ±10 %
Response time (T90)	<30 seconds
Warm up time	2 minutes
Calibration frequency	No calibration required
Life span	Up to 15 years
Detection technology	Spectrometer

Technical Specifications:

Powered by and communicates with	Base Unit (BASE-XX) (required)
Connectivity	RJ45 cable transmitting data & power from Base Unit to Sensor
Cable specification	RJ45 CAT 6/7 recommended Up to 100m (330ft) subject to cable quality & interference
Sensor power usage	600 mW

Environmental Specifications:

Operating temperature range	-40°C to 75°C (-40°F to 167°F)
Humidity (operating and storage)	0 to 100% rH (non-condensating)

Physical Specifications:

Sensor enclosure	Steel enclosure, industrial grade
Mounting option	OU rack, DIN rail, magnetic or wall mountable sensor
Dimensions	71.1mm (2.8") x 68.8mm (2.71") x 28.8 mm (1.13")
Weight	193g (0.43lbs)