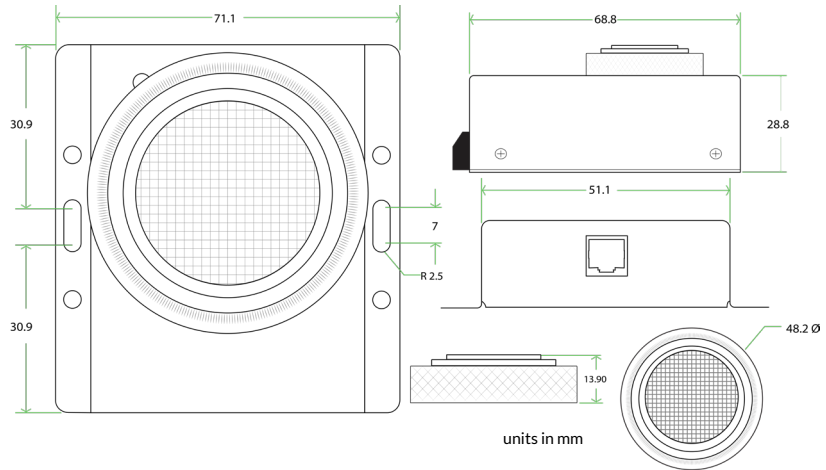




Refrigerant A2L (R32, and R454) Gas Sensor (GAS-A2L)



Digital sensor designed to specifically target and measure selected ASHRAE A2L refrigerant gas leaks.

Sensor Metrics:

Supported gases	R32, R-454B and R454C	
Measurement range	R32 R454B R454C	5 to 100% LFL 9 to 100% LFL 8 to 100% LFL
Accuracy	R32 R454B and R454C	±3% LFL ±5% LFL
Response time (T90)	<15 seconds	
Warm up time	2 minutes	
Calibration frequency	No calibration required	
Life span	Up to 15 years	
Detection technology	Spectrometer	

Technical Specifications:

Powered by and communicates with	Base Unit (BASE-XX) (required)
Connectivity	RJ45 cable transmitting data & power from Base Unit to Sensor
Cable specification	RJ45 CAT 6/7 recommended Up to 100m (330ft) subject to cable quality & interference
Sensor power usage	600 mW

Environmental Specifications:

Operating temperature range	-40°C to 75°C (-40°F to 167°F)
Humidity (operating and storage)	< 90% rH (non-condensating)

Physical Specifications:

Sensor enclosure	Steel enclosure, industrial grade
Mounting option	OU rack, DIN rail, magnetic or wall mountable sensor
Dimensions	71.1mm (2.8") x 68.8mm (2.71") x 28.8 mm (1.13")
Weight	193g (0.43lbs)